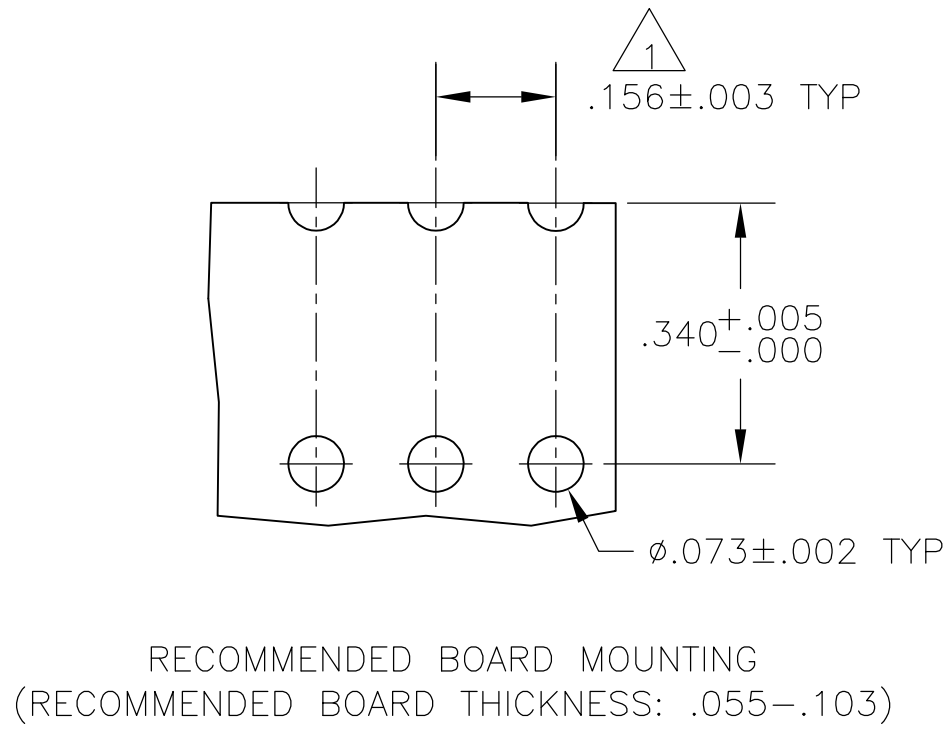
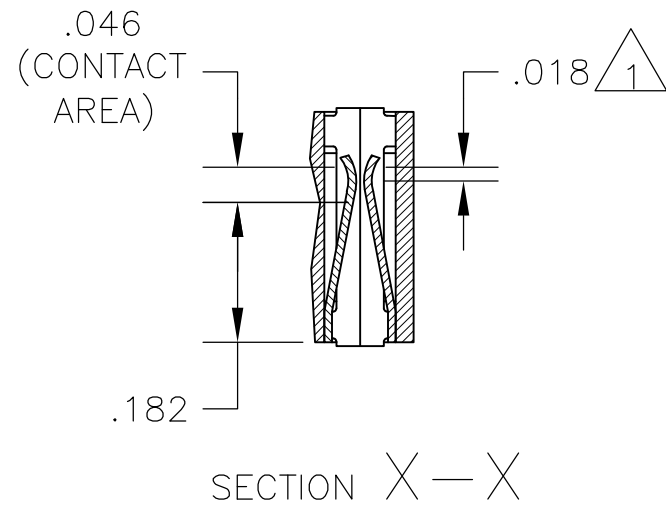
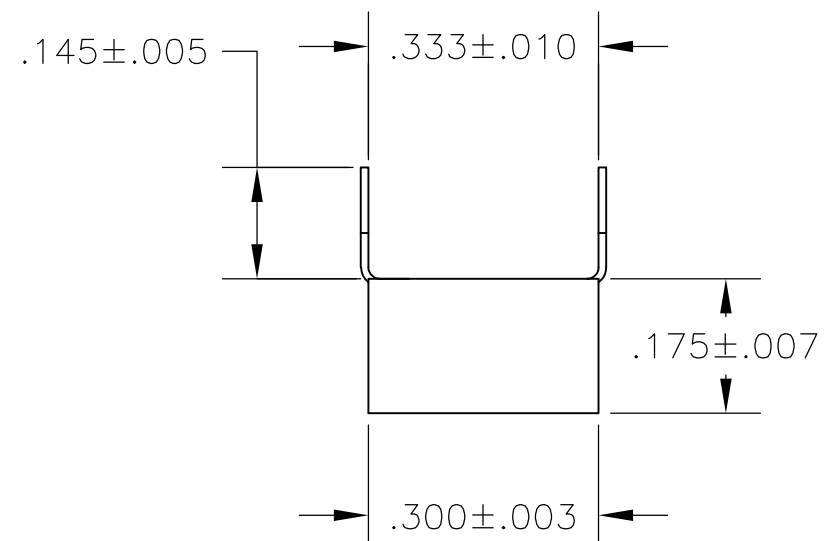
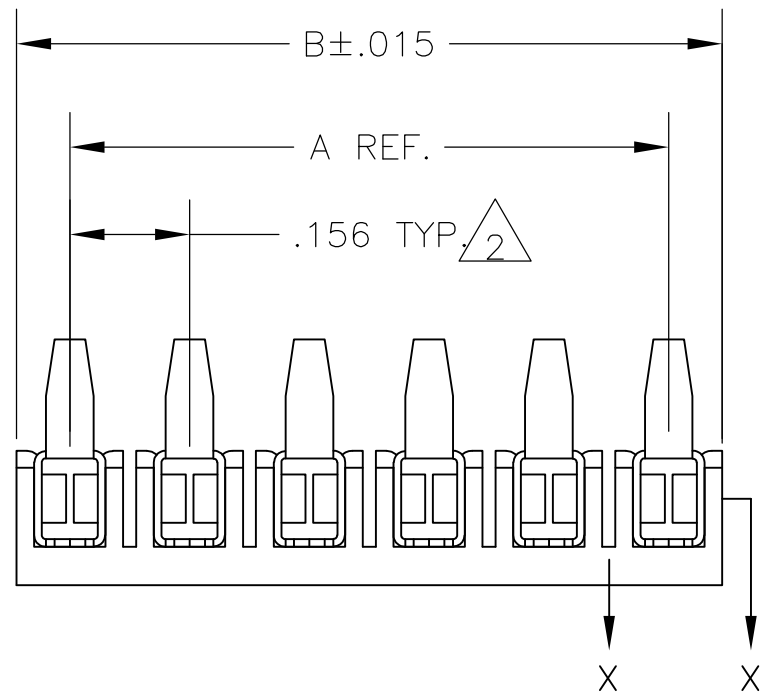
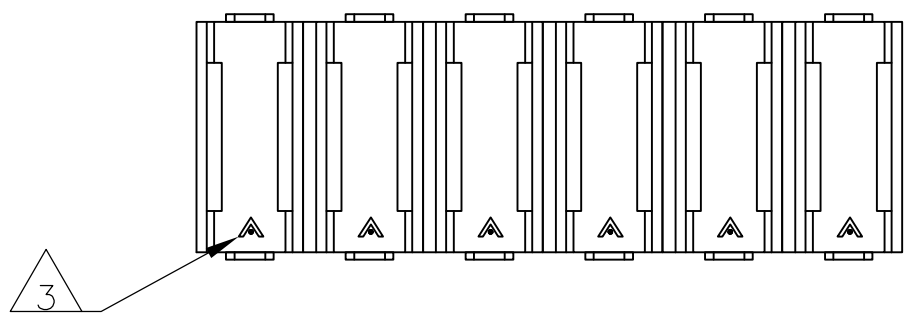


THIS DRAWING IS UNPUBLISHED. RELEASED FOR PUBLICATION
 © COPYRIGHT BY TYCO ELECTRONICS CORPORATION. ALL RIGHTS RESERVED.

| LOC | DIST | REVISIONS | | | | | |
|-----|------|-----------|-----|-----------------------|---------|-----|------|
| AD | 00 | P | LTR | DESCRIPTION | DATE | DWN | APVD |
| | | L1 | | REVISED ECO-09-024927 | 06NOV09 | KK | AEG |



- △ 1 POINT OF MEASUREMENT FOR PLATING THICKNESS (INSIDE OF BEAMS).
- △ 2 TOLERANCE NON-CUMULATIVE.
- △ 3 THE MATING END OF THE CONTACT IS IDENTIFIED BY THE LETTER "A" STAMPED ON THE RECEPTACLE BOX.
- △ 4 OBSOLETE PARTS: OBSOLETE CIS STREAMLINING PER D.RENAUD/D.SINISI



| SIZE | CAGE CODE | DRAWING NO | RESTRICTED TO |
|------------------|-----------------|------------|----------------------|
| 3.120 | 2.964 | 20 | 2-87987-0 |
| 2.964 | 2.808 | 19 | 1-87987-9 |
| 2.808 | 2.652 | 18 | 1-87987-8 |
| 2.652 | 2.496 | 17 | 1-87987-7 |
| 2.496 | 2.340 | 16 | 1-87987-6 |
| 2.340 | 2.184 | 15 | 1-87987-5 |
| 2.184 | 2.028 | 14 | 1-87987-4 |
| 2.028 | 1.872 | 13 | 1-87987-3 |
| 1.872 | 1.716 | 12 | 1-87987-2 |
| 1.716 | 1.560 | 11 | 1-87987-1 |
| 1.560 | 1.404 | 10 | 1-87987-0 |
| 1.404 | 1.248 | 9 | 87987-9 |
| 1.248 | 1.092 | 8 | 87987-8 |
| 1.092 | .936 | 7 | 87987-7 |
| .936 | .780 | 6 | 87987-6 |
| .780 | .624 | 5 | 87987-5 |
| 0.624 | .468 | 4 | 87987-4 |
| .468 | .312 | 3 | 87987-3 |
| .312 | .156 | 2 | 87987-2 |
| B | A | NO OF POSN | ASSEMBLY PART NUMBER |

THIS DRAWING IS A CONTROLLED DOCUMENT.

| | | |
|------|-----------|---------|
| DWN | L A MAYER | 17MAR86 |
| CHK | P deJONG | 17MAR86 |
| APVD | P deJONG | 17MAR86 |

Tyco Electronics Tyco Electronics Corporation
 Harrisburg, Pa 17105-3608

NAME: ASSY, MOD I, BOARD MOUNT RECP,
 .156 CL, STD PRESSURE, TYPE C,
 FOR ROUND HOLE MOUNTING

| | | | |
|------|-----------|------------|---------------|
| SIZE | CAGE CODE | DRAWING NO | RESTRICTED TO |
| A2 | 00779 | C=87987 | - |

MATERIAL: HOUSING-FLAME RETARDANT THERMOPLASTIC, COLOR-BLACK, CONTACTS-PHOS BRONZE
 FINISH: CONTACTS: .00079 MIN TIN

PRODUCT SPEC: 108-25,016
 APPLICATION SPEC: 114-25,004

WEIGHT: -
 CUSTOMER DRAWING

SCALE: 4:1 SHEET 1 OF 1 REV L1